

## TWO WIRE SELF CONTAINED OUTPUT (LOW CURRENT)

Where 2 wire mechanical switches (limit switches) are to be replaced by DC switches without fresh cables, the DC switch must be a two wire switch. A selector switch enables a programming of NO or NC output status.

Falls mechanische 2 Draht Schalter durch DC Schalter zu ersetzen sind, (ohne neue Verkabelung) kommen nur 2 Draht DC Schalter in Frage. Ein eingebauter Schalter ermöglicht das Umschalten vom Schliesser auf öffener Kontakt.



CE

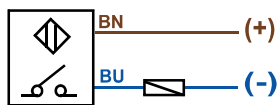
### Model

NJ 15-30 GM ZS-F

### Feature

15 mm Sensing Range  
2 wire DC

### Connection Diagram

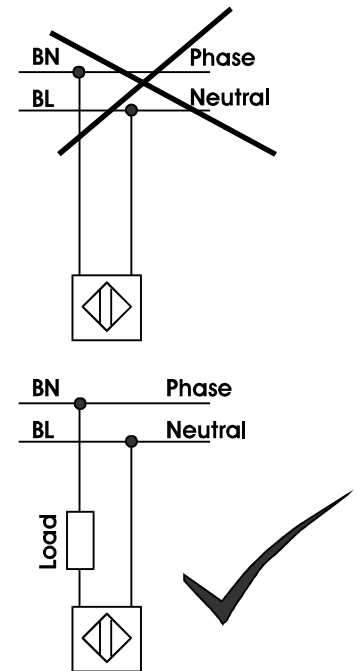
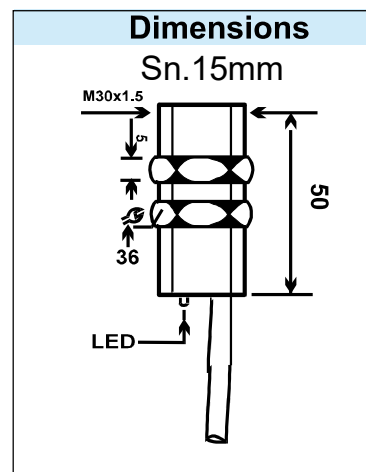


For ZS Type

## FLUSH

Metal Housing  
PVC Cable 2 m, 0.34mm<sup>2</sup>  
LED, IP-67 Protection  
Temperature : -20 to +70°C

Do not connect Proximity switch to AC mains without a load.



## Technical Data

Operating Voltage	5-40 VDC
Assured operat.dist. S a [mm]	0 ... 12.15
Continuous Load Current	2- 50 mA
Current Consumption	<1mA
Voltage Drop.	<5V
Standard Target(Ferrous) - mm	45 x 45 x 1
Switching Hysteresis	<5%
Switching Frequency	300Hz
EMC Test	IEC 801

### Ordering Chart

TWO WIRE DC (NO)

TWO WIRE DC (NC)

NJ 15-30 GM ZS F (Art. No. SIZ127M2)

NJ 15-30 GM ZO F (Art. No. SIZ128M2)

AS THE MARKET REQUIRES A CONTINUOUS UPDATE / IMPROVEMENT DATA IS SUBJECT TO CHANGE WITHOUT NOTICE.

Osna Electronics Pvt. Ltd. was earlier P and F Electronics P. Ltd., founded in the year 1985 as a joint venture up-to 1990 with M/s. Pepperl + Fuchs GmbH, Germany.